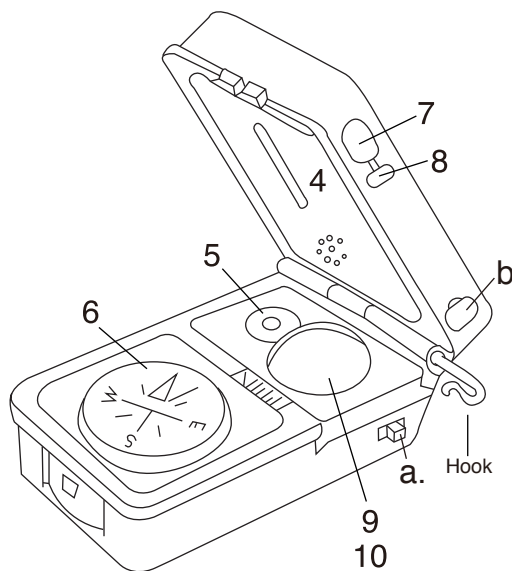
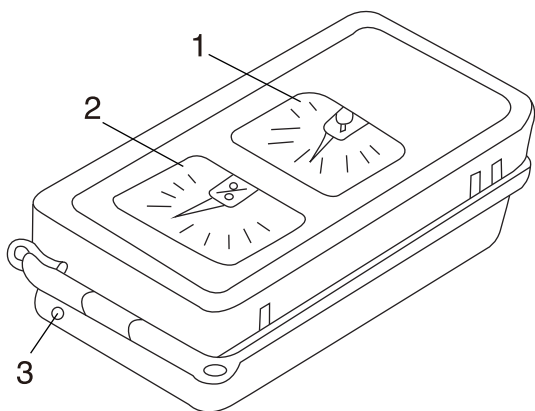


Instruction Manual for Outdoor Survival Tool™

Read through this entire instruction manual BEFORE using **Outdoor Survival Tool**. We're dedicated to bringing you well-designed products that make living fun and easy. We stand behind all our products and warrant this to be free from defects in workmanship and materials.

For service claims or questions please consult our website ProtocolNY.com.

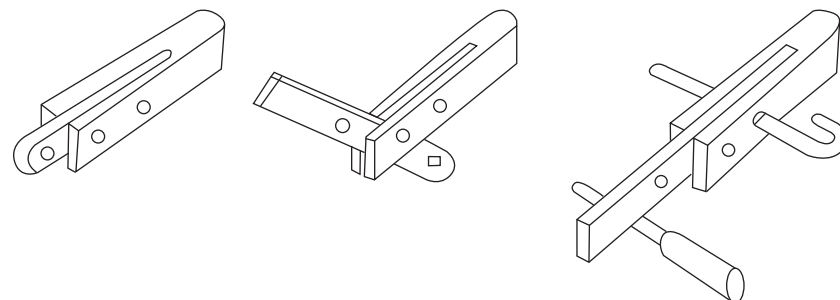


PARTS

1. Thermometer
2. Hygrometer
– measures humidity
3. LED Penlight
a. LED Penlight On/Off
4. Mirror
5. Level
6. Compass
7. Whistle
(push out with hook)
8. Flint Fire Starter
(push out with hook)
b. Striker (push out with hook)
9. Magnifier (slides out)
10. Ruler

*Note: You can push out the whistle, fire starter, or striker by sliding the hook through the holes in the other side of the tool

Assembling the striker:



Starting a fire:

1. Build a fire making sure you are in a location that is clear of trees and other objects. Make sure wood and kindling are dry.
2. Hold the fire starter away from you and pointed near tinder and kindling.
3. Slide the striker quickly against the rod away from you and towards tinder.
4. This will create a spark and should light tinder on fire.

WARNING: This is not a toy. Fires should only be started by adults or under adult supervision. Do not use indoors. Make sure your fire pit is in a safe location away from flammables. If possible, keep a bucket of water on hand when starting and during the fire. Make sure fire is fully extinguished before leaving unattended.

Replacing the Penlight Battery:

When the penlight begins to dim even after a full charge, you can replace the rechargeable battery. Unscrew the plate with the level and insert 2 new "CR 1220 3V" batteries into the tool.