

Cordless Nose & Ear Trimmer Instruction Manual



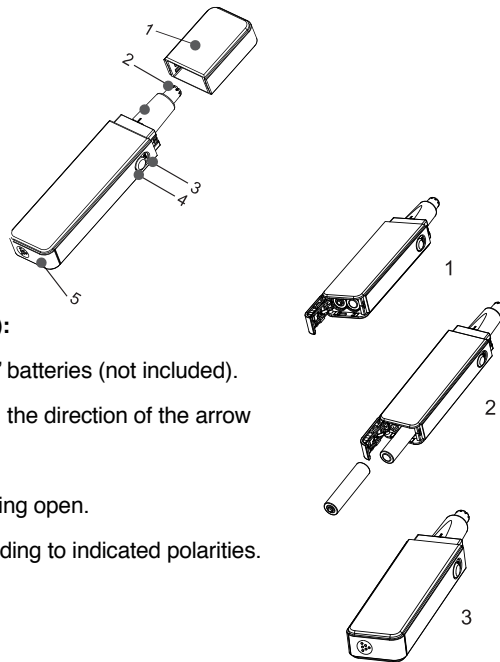
Read through this entire instruction manual before using the **Cordless Nose & Ear Trimmer**.

We're dedicated to bringing you well-designed products that make living fun and easy. We stand behind all our products and warrant this to be free from defects in workmanship and materials for 1 year from the date of purchase.

For service claims or questions, please consult our website **ProtocolNY.com**.

Trimmer Parts:

1. Cap
2. Trimmer
3. On Switch (I)
4. Off Switch (O)
5. Battery Cover



Installing Batteries (Fig. 1):

This item requires 2 x 'AAA' batteries (not included).

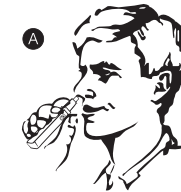
1. Push the battery cover in the direction of the arrow located on the cover.
2. The battery cover will swing open.
3. Insert the batteries according to indicated polarities.
4. Slide the cover closed.

Notes:

1. Always remove exhausted batteries from the product and dispose of safely.
2. Store batteries in a cool location away from metal objects.

Trimming Nasal Hair (A)

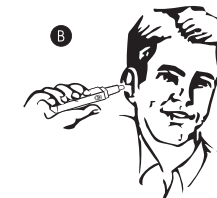
Switch the trimmer on and carefully insert it into the nostril but no further than ½ cm. Remove nasal hairs with smooth circular movements of the trimmer.



Trimming Ear Hair (B)

Do not insert the trimmer further than ½ cm into the ear as this could cause damage to the eardrum!

Switch the trimmer on and carefully insert it into the outer ear. Carefully run the trimmer along the parts of the ear with hair.



Trimming Eyebrows (C)

Switch the trimmer on and run it slowly over the hairs to be trimmed. The distance between the cutting head and the skin when trimming determines the length of remaining hair.

