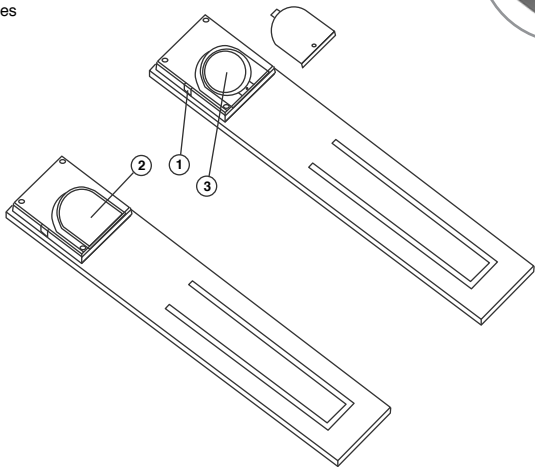


Instruction Manual for Bendy Booklight & Bookmark



Parts Description (See diagram):

1. On/Off Button
2. Battery Door
3. Batteries



Instructions for Use:

Turn the LED light on/off by sliding the On/Off Button (#1 in diagram).

Battery Replacement:

Remove Battery Door (#2 in diagram) located at the rear bottom of the LED light by taking off the screw on the door. Insert 2 CR2032 Lithium button batteries making sure that the terminals of the batteries are placed according to the symbols marked on the battery door.

Important:

Spent batteries are hazardous waste - NEVER dispose of them with household trash. Dispose of ONLY in waste designated for used batteries.